

Australian Standard®

Automatic fire detection and alarm systems—Methods of test for actuating devices

Part 24: Frangibility test

- 1 **SCOPE** This Standard sets out the method for evaluating the frangibility of actuating device covers.
- 2 **APPLICATION** This Standard is intended to be used in conjunction with the performance requirements in the appropriate device Standard.
- 3 **PRINCIPLE** The frangible element of an actuating device cover is subjected to two defined impacts. The first shall not break or crack the element, or initiate an alarm state, the second shall break the element and initiate an alarm state.
- 4 **APPARATUS** A test rig including a pendulum, consisting of a spherical brass mass of 85 g suspended as illustrated in Figure 1.

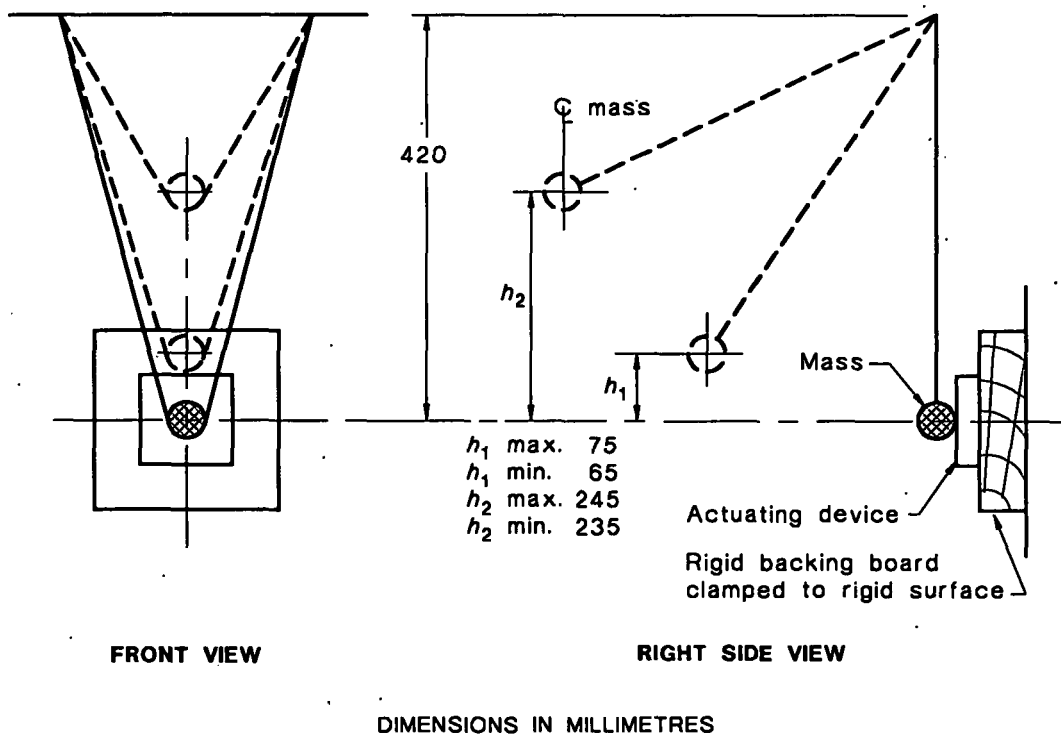


FIGURE 1 FRANGIBILITY TEST ARRANGEMENT



COPYRIGHT

