

Australian Standard[®]

Methods of testing bitumen and related roadmaking products

Method 7: Determination of density using a density bottle

1 SCOPE This Standard sets out two procedures for the determination of density of bituminous materials using a density bottle. These procedures are known as the total filling method and the partial filling method.

The total filling method is applicable to materials which are sufficiently fluid at 25°C to allow the bottle stopper to be pressed into position when the bottle is filled.

The partial filling method is applicable to materials which are too viscous for the total filling method.

The two methods cover all bitumen and related products for roadmaking.

2 REFERENCED DOCUMENTS The following documents are referred to in this Standard:

AS

2341 Methods of testing bitumen and related roadmaking products

2341.1 Precision data—Definitions

ASTM

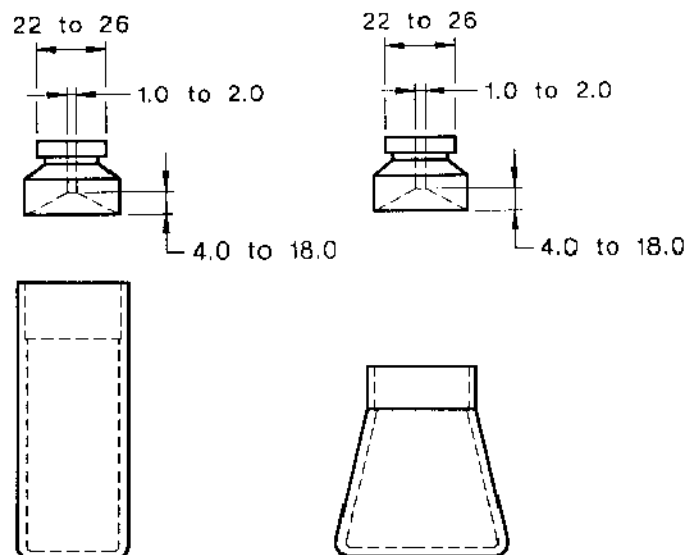
D 4311 Standard practice for determining asphalt volume correction to a base temperature

E 1 Specification for ASTM thermometers

IP Methods for analysis and testing, Part 1, Vol. 2, Appendix A

3 APPARATUS The following apparatus is required:

(a) *Density bottle*—made of borosilicate glass. Suitable density bottles are illustrated in Figure 1.



DIMENSIONS IN MILLIMETRES

FIGURE 1 SUITABLE DENSITY BOTTLES